

How do wheels work?

How do wheels move?

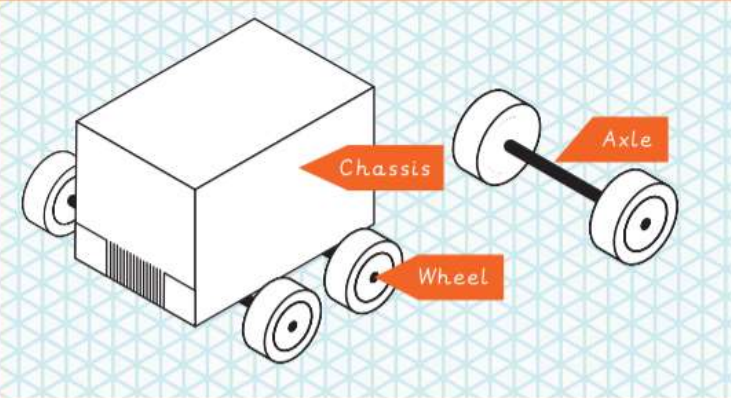
What stops a wheel from turning?

What makes a wheel and an axel work?

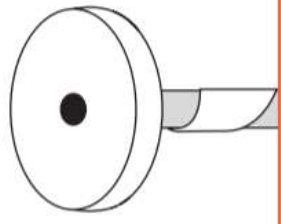
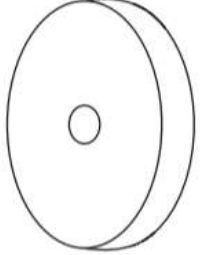

How are wheels attached to an axel?

<p>Accurate Neat, correct shape, size and pattern with no mistakes.</p>	<p>Fix To mend something so that it will work properly again.</p>
<p>Axel A long straight part of a rod which connects to a rotating part (E.g. the wheels of a car).</p>	<p>Mechanic A person who can build or mend vehicles or other machines.</p>
<p>Axel holder The part of a mechanism which holds the axel steady.</p>	<p>Mechanism Parts of an object that move together to make something work.</p>
<p>Chassis The body of a car.</p>	<p>Model A practise version that lets you test out your idea and see how it will look and work.</p>
<p>Design To make, draw or write plans for something.</p>	<p>Test To find out whether something works as it should.</p>
<p>Wheel A circular object that turns round. It can be fixed to a vehicle like a car or a bicycle to allow the vehicle to move easily over the ground.</p>	

How do wheels move?
The wheels need to be round and balance the body of the vehicle.



The wheels need to be attached to an axle. The axle needs to fit inside the axle holder but must not be attached to the axle holder otherwise the wheels will not turn properly.

Wheel	Axle	
		
	<p>Axle holder</p> 